

LED导光柱 LED PIPE



用途：使LED导光于机壳面板上，使光度均匀、柔和。

MATERIAL : PC(UL)

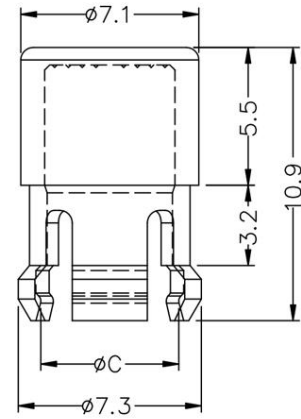
FLAME CLASS : 94V-0,94V-2

COLOR : TRANSPARENT/AMBER/RED

UNIT : mm

2

PART NO	C	PACKAGE
LEDLP-216	5.0	1000



MOUNTING HOLE $\phi 6.4$
THICKNESS 3.0

LED导光柱 LED PIPE



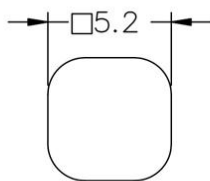
用途：使LED导光于机壳面板上，使光度均匀、柔和。

MATERIAL : PC(UL)

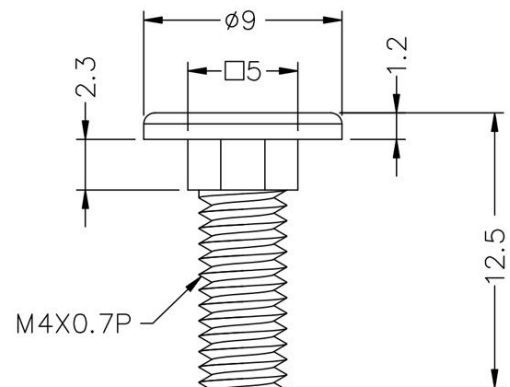
FLAME CLASS : 94V-0

COLOR : TRANSPARENT

UNIT : mm



MOUNTING HOLE



PART NO	PACKAGE
LEDLP-217	1000