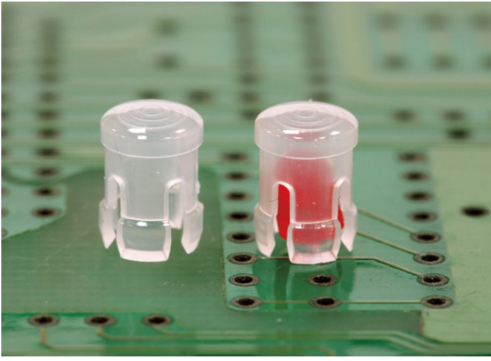


LED导光柱 LED PIPE



用途：可快速将 $\varnothing 3$ LED 固定于机器面板上。搭配 LEDT-01, LEDT-02, LEDT-03 可更紧配稳固。

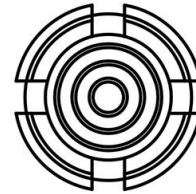
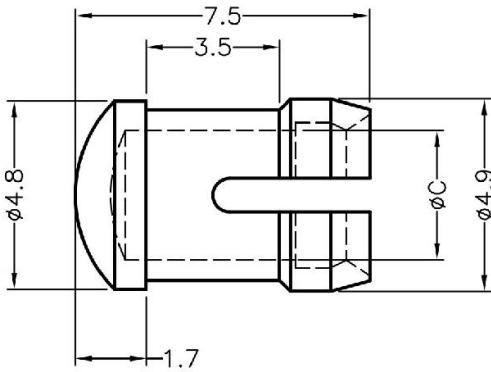
MATERIAL : PC(UL)

FLAME CLASS : 94V-0,94V-2

COLOR : TRANSPARENT

UNIT : mm

2



CHASSIS $\varnothing 4.4$
THICKNESS 1.57~3.2

PART NO	C	PACKAGE
LEDLP-115	$\varnothing 3.3$	1000

LED导光柱 LED PIPE



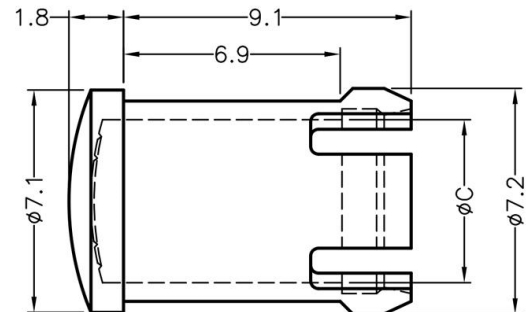
用途：可快速将 $\varnothing 5$ LED 固定于机器面板上

MATERIAL : PC(UL)

FLAME CLASS : 94V-0,94V-2

COLOR : TRANSPARENT

UNIT : mm



PART NO	C	PACKAGE
LEDLP-116	$\varnothing 5.2$	1000

CHASSIS $\varnothing 6.4$
THICKNESS 0.8~6.35